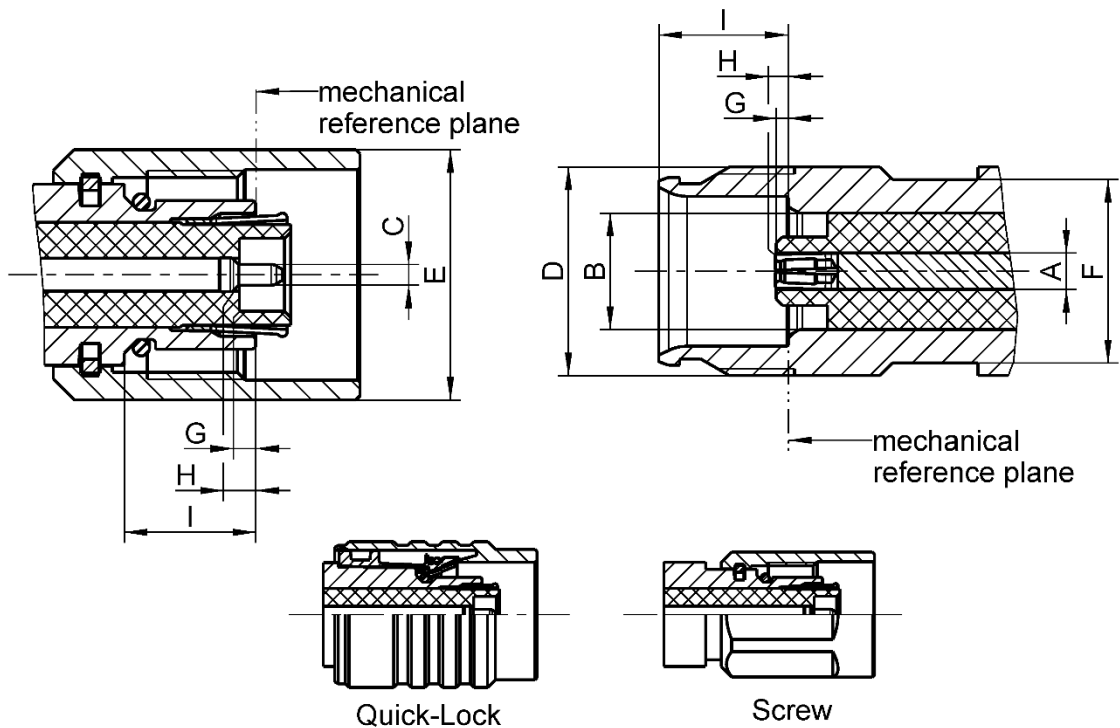


MALE

FEMALE



	Male		Female	
	min.	max.	min.	max.
A	-	-	Ø 1.74 nom.	
B	-	-	Ø 5.57	Ø 5.63
C	Ø 0.975	Ø 1.025	-	-
D	M10 x 0.75		M10 x 0.75	
E	SW 11 (Ø 12 max.)		-	-
F	-	-	Ø 8.75	Ø 8.85
G	0.70	0.86	0.46	0.70
H	0.70	0.94	0.54	0.70
I	6.25	6.35	6.15	6.25

Dimensions in mm

Dieses Dokument ist urheberrechtlich geschützt • This document is protected by copyright • Rosenberger Hochfrequenztechnik GmbH & Co. KG

RFB00035

Draft	Date	Approved	Date	Rev.	Engineering Change Number	Name	Date
F_Fraunhofer	26.06.2019	Chr. Janßen	29.07.2019	a00	19-s083	S. Huber-Siegl	29.07.2019
Rosenberger Hochfrequenztechnik GmbH & Co. KG P.O. Box 1260 D-84526 Tittmoning Germany www.rosenberger.com					Tel. : +49 8684 18-0 Email : info@rosenberger.com		Page 1 / 2

Interface

According to NEX10® / IEC tbd

Electrical data

Impedance 50 Ω
 Frequency DC to 20 GHz
 Return loss ≥ 36 dB @ DC to 4 GHz
 ≥ 32 dB @ 4 GHz to 6 GHz
 Insertion loss ≤ 0.05 x √ f [GHz] dB
 Insulation resistance ≥ 5 GΩ
 Center contact resistance ≤ 1.5 mΩ
 Outer contact resistance ≤ 1.5 mΩ
 Working voltage 500 V rms
 RF-leakage ≥ 110 dB @ DC to 6 GHz (screw type)
 ≥ 90 dB @ DC to 3 GHz for tool-less plugs (quick-lock)
 ≥ 70 dB @ 3 to 6 GHz for tool-less plugs (quick-lock)
 Power handling 100 W @ 2.0 GHz and 85°C ambient temperature
 50 W @ 2.0 GHz and 105°C ambient temperature
 Intermodulation (3rd order) ≥ 160 dBc (2 x 43 dBm) @ 0.4 – 6.0 GHz

Mechanical data

Mating cycles ≥ 100
 Coupling nut retention ≥ 500 N
 Center contact captivation axial: ≥ 20 N
 Center contact retention force 1 - 10 N
 Outer contact retention force 3 - 20 N
 Engagement force 50 N (typ.)
 Disengagement force 35 N (typ.)
 Coupling recommended torque 5 Nm
 Pitch ≥ 12.7 mm

Environmental data

Temperature range -55 °C to +125 °C operating temperature
 Thermal shock IEC 61169-1 9.4.4
 Vibration IEC 61169-1 9.3.3 and IEC 60068-2-64
 Shock IEC 61169-1 9.3.14
 Degree of protection (mated pair) IEC 60529, IP68 24h / 1m
 RoHS compliant

Material and plating

Connector parts

Spring loaded contact parts
 Center contact
 Outer contact
 Body
 Coupling Unit
 Locking Sleeve
 Dielectric
 Gasket

Material

CuBe /Spring bronze
 CuBe / CuZn
 Spring bronze / CuZn
 CuZn
 CuZn
 CuZn
 PTFE
 Rubber

Plating

Ag
 Ag
 Ag / white bronze
 white bronze
 white bronze
 white bronze

While the information (including technical data) has been carefully compiled to the best of our knowledge at the time of publication, the information is provided "AS IS" without warranties of any kind either express or implied. Apart from this, no statement herein shall be construed as recommendation to infringe existing patents. Individual values may deviate depending upon circumstances including but not limited to application, design, type of cable, assembly and workmanship. Furthermore, we reserve the right to change the design and technical specification of our products when deemed necessary.

Draft	Date	Approved	Date	Rev.	Engineering Change Number	Name	Date
F_Fraunhofer	26.06.2019	Chr. Janßen	29.07.2019	a00	19-s083	S. Huber-Siegl	29.07.2019
Rosenberger Hochfrequenztechnik GmbH & Co. KG P.O. Box 1260 D-84526 Tittmoning Germany www.rosenberger.com					Tel. : +49 8684 18-0 Email : info@rosenberger.com		Page 2 / 2