

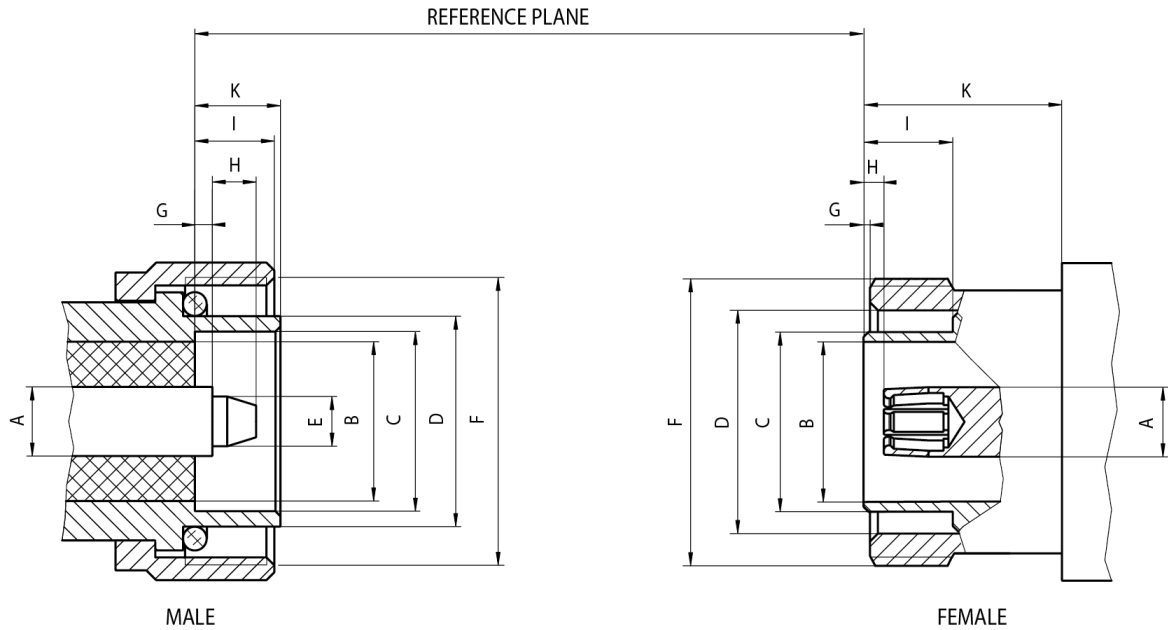
Technical Data

Rosenberger

60

7-16

60-000-000_TD



	Male		Female	
	min.	max.	min.	max.
A	Ø 7.00 nom.		Ø 7.00 nom.	
B	Ø 15.85	Ø 16.25	Ø 15.85	Ø 16.25
C	Ø 18.03	Ø 18.21	Ø 17.84	Ø 18.02
D	Ø 20.60	Ø 21.40	Ø 22.10	Ø 22.90
E	Ø 4.96	Ø 5.04	-	-
F	M 29 x 1.5		M 29 x 1.5	
G	1.47	1.77	0.50	0.70
H	-	4.50	1.77	2.07
I	7.00	9.00	8.10	-
K	7.00	8.00	10.00	-

Dimensions in mm

Interface

According to

IEC 61169-4, EN 122190, DIN 47223

Dieses Dokument ist urheberrechtlich geschützt • This document is protected by copyright • Rosenberger Hochfrequenztechnik GmbH & Co. KG

RFB00035

Draft	Date	Approved	Date	Rev.	Engineering Change Number	Name	Date
Chr. Janßen	11.03.2019	Chr. Janßen	11.03.2019	a00	19-s083	J_Krautenbac	12.03.2019
Rosenberger Hochfrequenztechnik GmbH & Co. KG P.O. Box 1260 D-84526 Tittmoning Germany www.rosenberger.com						Tel. : +49 8684 18-0 Email : info@rosenberger.com	
							Page 1 / 2

Technical Data

Rosenberger

60

7-16

60-000-000_TD

Electrical data

Impedance	50 Ω
Frequency range	DC to 7.5 GHz
Return loss (cable connector straight)	≥ 32 dB @ DC to 0.5 GHz ≥ 21 dB @ 0.5 GHz to 4 GHz ≥ 17 dB @ 4 GHz to 7.5 GHz
Insertion loss	≤ 0.05 x √ f [GHz] dB
Insulation resistance	≥ 10 GΩ
Center contact resistance	≤ 0.4 mΩ
Outer contact resistance	≤ 1.5 mΩ
Working voltage	500 V rms
Power handling	1800 W @ 1 GHz 800 W @ 4 GHz
RF leakage - Interface	≥ 128 dB @ DC to 1 GHz
Intermodulation 3rd order	≤ -155 dBc (2 x 43 dBm)

Mechanical data

Mating cycles	≥ 500
Coupling nut retention	≥ 1000 N
Center contact captivation	axial: ≥ 200 N radial: ≥ 2 Ncm
Coupling test torque	≤ 35 Nm
Coupling torque recommended	25 Nm to 30 Nm
Pitch	≥ 32 mm

Environmental data

Temperature range	-55 °C to +155 °C
Rapid change of temperature	DIN EN 122190, Sub-clause 4.6.7
Damp heat	DIN EN 122190, Sub-clause 4.6.6
Climatic category	DIN EN 122190, Sub-clause 4.6.5 55/155/56
Degree of protection (mated pair)	IEC 60529, IP 68
Corrosion resistance	DIN EN 122190, Sub-clause 4.6.10
Vibration	DIN EN 122190, Sub-clause 4.6.3
Max. soldering temperature (PCB connectors)	IEC 61760-1, +260 °C for 10 sec.

Materials

Connector parts

Spring loaded contact parts
Center contact
Outer contact
Crimping ferrule
Dielectric
Gasket

Material

CuBe / CuSn
CuZn
CuZn
Cu
PP / PS / PTFE
Rubber

Plating

Ag
Ag
Ag / white bronze
white bronze

While the information (including technical data) has been carefully compiled to the best of our knowledge at the time of publication, the information is provided "AS IS" without warranties of any kind either express or implied. Apart from this, no statement herein shall be construed as recommendation to infringe existing patents. Individual values may deviate depending upon circumstances including but not limited to application, design, type of cable, assembly and workmanship. Furthermore, we reserve the right to change the design and technical specification of our products when deemed necessary.

Draft	Date	Approved	Date	Rev.	Engineering Change Number	Name	Date
Chr. Janßen	11.03.2019	Chr. Janßen	11.03.2019	a00	19-s083	J_Krautenbac	12.03.2019
Rosenberger Hochfrequenztechnik GmbH & Co. KG P.O. Box 1260 D-84526 Tittmoning Germany www.rosenberger.com					Tel. : +49 8684 18-0 Email : info@rosenberger.com		Page 2 / 2