

Rosenberger Jumper Boot (RJB) for weatherproofing of 7-16 DIN Male Connector onto Female Bulkhead Connector. The RJB is preassembled on the jumper at the factory and is not to be removed and reused on another jumper.

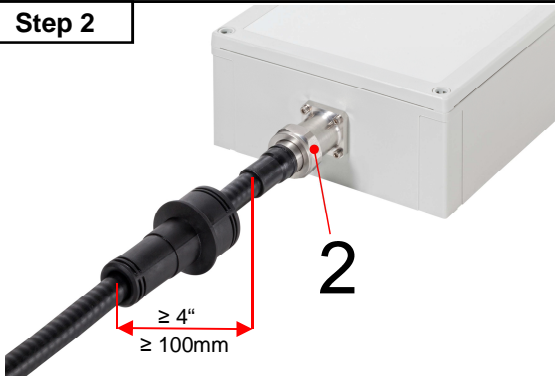
Steps when connecting to standard 7-16 DIN female bulkhead

Step 1



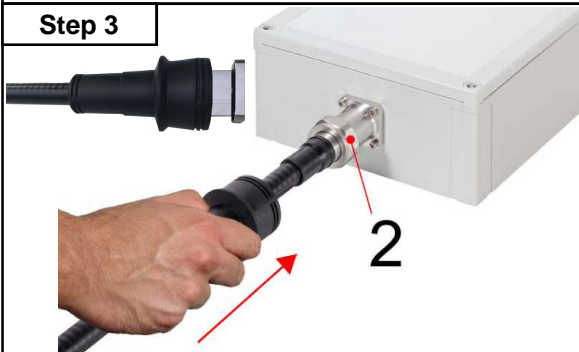
RJB (1) comes preassembled on the jumper cable. It is designed to seal to the smooth neck of the standard 7-16 DIN female bulkhead with an OD of 25–30mm.

Step 2



Straighten the cable ≥ 4 inches (100mm) from where it exits the 7-16 DIN male connector. Ensure cable and connector are clean. Connect the jumper cable to the device and properly torque the connection.

Step 3



Slide the RJB until it stops across the connection. Final position according to the inset photo above. RJB lands on the smooth diameter beyond the threads of the female connector, providing IP68 sealing. Do not squeeze the circumference of the RJB after installation as this can cause future water ingress.

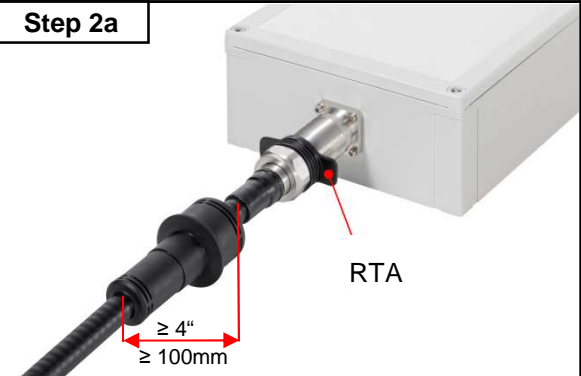
Additional steps when fully threaded (22mm minimum thread length) 7-16 DIN female bulkhead used

Step 1a



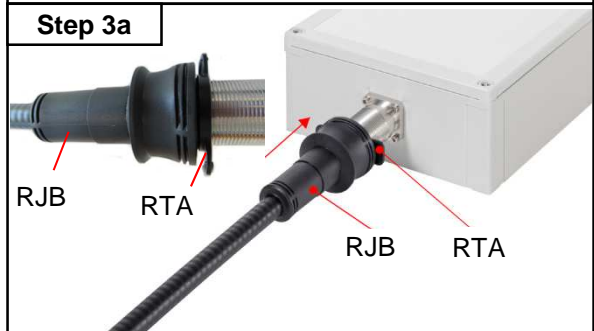
Install the Rosenberger Thread Adapter (RTA), p/n SLWK112-C03/51 (sold separately) in the correct position per the photo above (9mm from front connector interface). There must be adequate thread length to provide this 9mm and space for the RTA. The RTA is required to achieve IP68 sealing with the RJB to the fully threaded version of the 7-16 DIN bulkhead. Please proceed to step 2.

Step 2a



Turn the RTA counterclockwise until it comes in contact with the DIN connector nut. Verify the RTA is squarely aligned with the connector nut and seated into the bulkhead threads. Please proceed to step 3A.

Step 3a



In this installation, the RJB lands on the RTA as shown in the inset photo above, providing IP68 sealing. The RJB must be installed squarely to the RTA with no more than 1 of the 3 RTA grooves exposed. The 2 RTA tabs will be exposed, providing visual proof of proper installation. Do not squeeze the circumference of the RJB after installation as this can cause future water ingress.

Dieses Dokument ist urheberrechtlich geschützt • This document is protected by copyright • Rosenberger Hochfrequenztechnik GmbH & Co. KG

RF_35/06:10/1.0

Draft	Date	Approved	Date
M. Wimmer	13.08.2015	M. Wimmer	21.08.2015

Rev.	Engineering change number	Name	Date
a00	15-s265	S. Krautenb.	21.08.2015

Rosenberger Hochfrequenztechnik GmbH & Co. KG P.O.Box 1260 D-84526 Tittmoning Germany www.rosenberger.de			Tel. : +49 8684 18-0 Email : info@rosenberger.de	Page 1 / 1
--	--	--	---	---------------